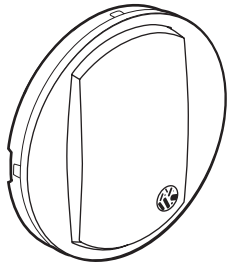
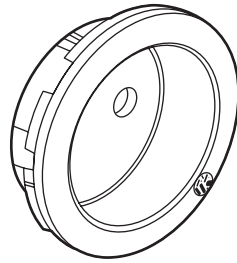


Céliane™ Antibacterial cover plates

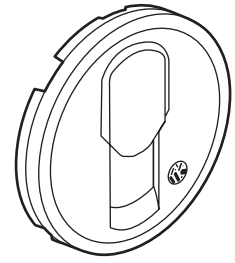
Cat. No(s): 677 40/41/42/43/44/45/46/47/48/49



677 40



677 44



677 46

1. USE

Cover plates for Céliane mechanisms. Products made of antimicrobial material comprising Ag+ silver ions.

This technology eliminates bacteria, fungi and viruses without tolerance or resistance effects (physical destruction, not chemical).

These products are specially designed for use in locations with strict hygiene rules, providing additional assurance of the non-proliferation of bacteria, fungi and viruses without affecting cleaning protocols.

2. RANGE

	Designation	Cat. No.	Weight (g)
	Cover plate for 2-way switch or single push-button	677 40	6.6
	Cover plate for double 2-way switch or double push-button	677 41	7.2
	Cover plate for 2-way switch or single push-button with indicator light	677 42	6.8
	Cover plate for double 2-way switch or double push-button with indicator light	677 43	7.6
	Cover plate for dimmer switch	677 48	5.8
	Cover plate for roller shutter control	677 49	6

2. RANGE (cont.)

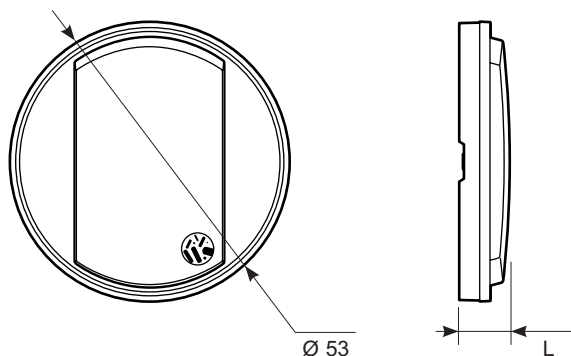
	Cover plate for socket outlet	677 44	6.5
	Cover plate for T-shaped telephone socket	677 45	3.9
	Cover plate for Cat. 5 RJ45 socket	677 46	4.1
	Cover plate for single TV socket	677 47	4.7

3. INSTALLATION

Correspondence with Céliane mechanisms:

Cover plates	Mechanisms
677 40	670 01/ 31
677 41	2 x 670 01/ 31
677 42	670 01/ 31
677 43	2 x 670 01/ 31
677 44	671 10/ 11/ 13
677 45	673 38
677 46	673 37
677 47	673 80/ 82
677 48	670 81/ 82/ 84
677 49	676 01/ 02

4. OVERALL DIMENSIONS



Cat. No.	L (mm)
677 40	9.6
677 41	9.6
677 42	9.6
677 43	9.6
677 44	16.8
677 45	7
677 46	7.7
677 47	7
677 48	9.6
677 49	8.9

5. TECHNICAL DATA

5.1 Mechanical characteristics

Impact resistance: IK 04
Penetration by solid/liquid bodies: IP 20

5.2 Material characteristics

Cover plate: ABS + antimicrobial treatment:

	Reduction coefficient:
Aspergillus niger	Log 0.04
Bacillus cereus	Log 0.44
Bacillus subtilis	Log 0.13
Candida albicans	Log 1.11
Enterovirus Polio 1	Log 0.2
Escherichia Coli	Log 4.7
Myobacterium Avium	Log 1.61
Myobacterium Terrae	Log 1.45
Pseudomonas aeruginosa	Log 5.8
Staphylococcus aureus	Log 4.02

(Reminder: log 4 = 99.99%; log 3 = 99.9%; log 2 = 99%; log 1 = 90%)

5. TECHNICAL DATA (CONT.)

Indicator light diffuser (Cat. No. 677 42/ 43) :
Polycarbonate + antimicrobial treatment:

	Reduction coefficient:
Aspergillus niger	Log 0
Bacillus cereus	Log 0.05
Bacillus subtilis	Log 0.09
Candida albicans	Log 0.86
Enterovirus Polio 1	Log 1
Escherichia Coli	Log 6.3
Myobacterium Avium	Log 0.04
Myobacterium Terrae	Log 1.21
Pseudomonas aeruginosa	Log 4.4
Staphylococcus aureus	Log 2.67

(Reminder: log 4 = 99.99%; log 3 = 99.9%; log 2 = 99%; log 1 = 90%)

Tests carried out according to standards JIS Z 2801:2000
and JIS Z 2801:2006

Test report available on request.

5.3 Electrical characteristics

Self-extinguishing: 650 °C / 30 s

5.4 Climatic characteristics

Storage temperature: -10 °C to +70 °C
Operating temperature: -5 °C to +50 °C

6. CLEANING

Surface cleaning using a cloth.
Do not use: acetone, tar remover or trichloroethylene.

6.1 Resistance to cleaning products

Resistant to the following products: hexane (EN 60669-1), methylated spirit, soapy water, diluted ammonia, 10% bleach solution, window cleaning products, moist towelettes.

6.2 Resistance to medical cleaning products

Resistant to the following products: Anios, Surfanios, Bactily sine, Hydrogen peroxide (35%).

Warning: conduct preliminary tests before using any other specific cleaning products.